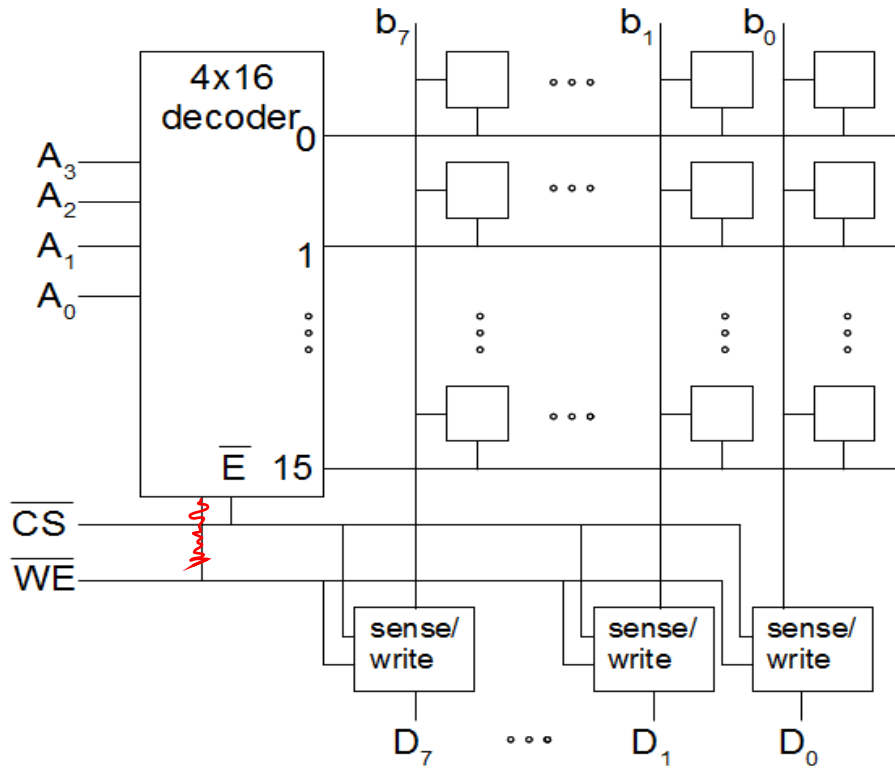
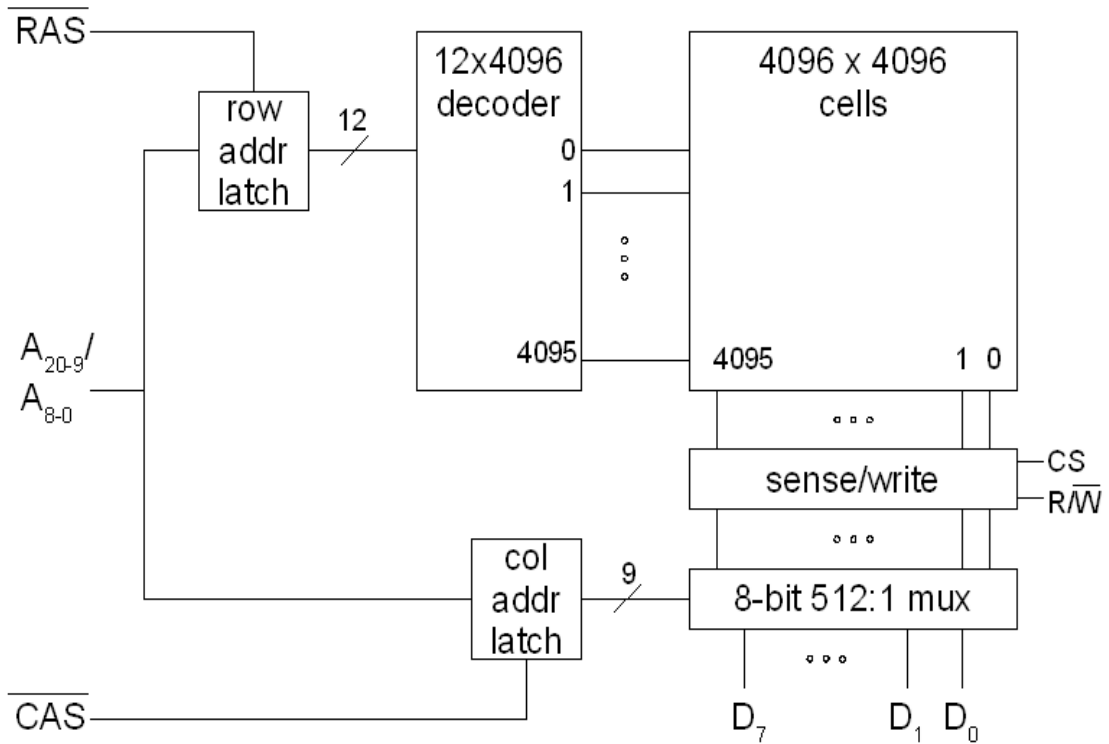


16 x 8 bit memory (internal view)

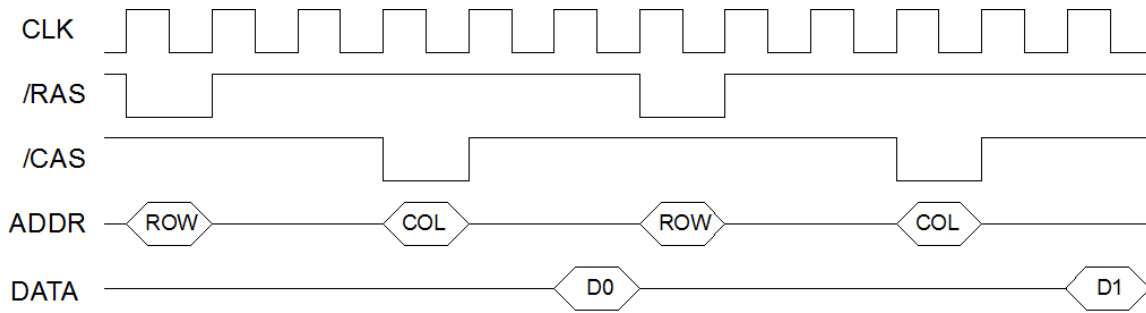


2M x 8 bit memory (internal view)

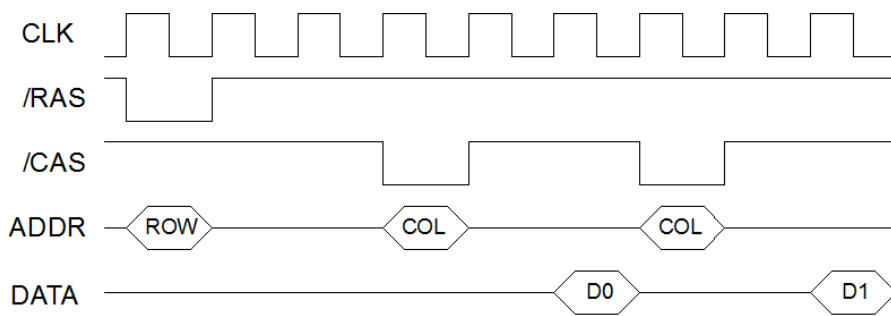


\* note that  $D_0 - D_7$  are *bits* of data

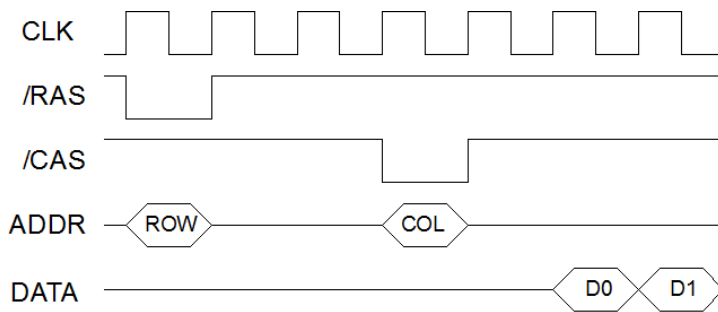
Async DRAM read (2 words)



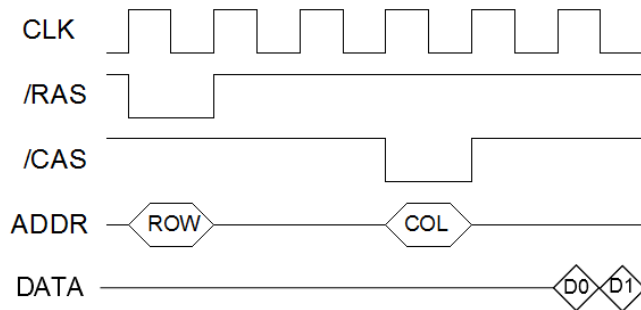
Async DRAM FPM read (2 words)



SDRAM read (2 word burst)



SDRAM DDR read (2 word burst)



\*\* note that D0 and D1 are *words* of data